



BT8511

UNIVERSAL TWIN SCREEN VC TROLLEY WITH CAMERA SHELF INSTALLATION GUIDE & PARTS LIST

This Pack Contains 1 Trolley

PLEASE KEEP THIS FOR FUTURE REFERENCE



FEATURES

- Mobile trolley designed to mount 2 flat screens side by side
- Recommended screen size: 39" to 46"
- Max weight: 20kg (per screen)
- Suitable for screens with VESA® & non-VESA fixings up to 400 x 400mm
- Dimensions: **W.** 1504mm **H.** 1680mm **D.** 774mm
- Includes VC shelf which can be fixed directly above or below the mounting rail
- Supplied with adjustable levelling feet to accommodate uneven floor surfaces
- Interface arms feature height adjustment screws to help level the screens
- Safety screws help prevent unauthorised screen removal
- Integrated cable management
- Simple 'hook-on' screen installation
- All mounting hardware included



PER SCREEN

Registered Community Design N°S: 001713280-0019 / 002741256-0019 / 002741256-0025 / 004038040-0037 / 004038040-0027

CONTENTS

Installation Safety Notes.....	2
Parts List.....	4
Installation Instructions.....	7
Product Dimensions.....	15
B-Tech Contact Details.....	16

INSTALLATION TOOLS REQUIRED

Crosshead screwdriver

13mm Spanner



INSTALLATION SAFETY INSTRUCTIONS



CAUTION: This stand / trolley is intended for use only with the maximum weights indicated. Use with flat screens heavier than the maximum indicated may result in instability causing possible injury.

Do not attempt to install this product until all instructions and warnings have been read and properly understood. Please keep these instructions for future reference. Please check carefully to make sure there are no missing or defective parts - defective parts must never be used. B-Tech International Design & Manufacturing Ltd, its distributors and dealers are not liable or responsible for damage or injury caused by improper installation, improper use or failure to observe these safety instructions. In such cases, all guarantees will expire.

General

Great care must always be taken during installation as most AV equipment is of a fragile nature, possibly heavy and easily damaged if dropped. If you do not fully understand the instructions or are not sure how to install this product safely, then please consult a professional for advice and/or to install this product for you. Failure to mount this product correctly may cause serious injury or death both during installation and at any time thereafter. Do not mount any AV equipment that exceeds the specific weight limit of the product you are installing. This weight limit will be clearly stated on each product and its packaging and will vary from product to product.

Product location

Please pay careful attention to where this product is located, some locations are not suitable for installation. For indoor use only. Install stand on level ground. When verifying the stability of the structure, consider the following external factors: The strength of the floor, exposure to sudden and severe wind and danger arising from contact with people and / or objects (eg installations in passageways, emergency exits), if located in a public or frequently populated area ensure that the product is out of the immediate reach of people.

Fixing hardware

It is highly recommended that all fixing screws be used where supplied and that the purpose of all other fixing hardware is fully understood. In some cases more AV equipment fixing hardware will be supplied to accommodate different models of equipment and set up configurations. The installer must be satisfied that any supplied fixing hardware is suitable for each specific installation. If any fixing screws or included hardware are deemed not sufficient for a safe installation then please consult a professional or your local hardware store.

Hazard limitation

When routing cables take advantage of any built in cable management features that the product might provide and ensure that all cables are tidy and secure. Check to see that any moving aspect of the product can do so unhindered by any cabling. Some products have moving parts and the potential to cause injury through the crushing or trapping of fingers or other body parts. Particular attention to the nature of moving parts is required especially when assembling installing and adjusting during set up. Immediately after installations double-check that the work done is safe and secure. Double-check all necessary fixings are present and are of ample tightness. It is recommended that periodic inspections of the product and its fixing points are made as frequently as possible to ensure that safety is maintained. If in doubt consult a professional AV installer or other suitably qualified person.

CS

Společnost B-Tech International Design And Manufacturing Ltd. doporučuje provést instalaci tohoto produktu instalátora AV či jinak způsobilé osoby. Společnost B-Tech International Design And Manufacturing Ltd, její distributoři a prodejci nenesou prostřednictvím odborného odpov. édnost za škody nebo zranění způsobená nevhodnou instalací. Tento výrobek je nutno umístit do vhodné konstrukce a používat jen po uvedené maximální výšce.

DE

B-Tech International Design And Manufacturing Ltd. empfiehlt, dass dieses Produkt durch einen qualifizierten AV-Techniker oder eine andere Person mit geeigneter Qualifikation installiert wird. B-Tech International Design And Manufacturing Ltd, ihre Distributoren und Händler können nicht für durch fehlerhafte Montage verursachte Beschädigung oder Verletzung haftbar bzw. verantwortlich gemacht werden. Dieses Produkt muss auf eine geeignetem Untergrund montiert werden und darf nur bis zum angegebenen Höchstgewicht verwendet werden.

ES

B-Tech International Design And Manufacturing Ltd. recomienda que un instalador de audio y video profesional u otra persona debidamente cualificada instalen este producto. B-Tech International Design And Manufacturing Ltd, sus distribuidores y concesionarios no se hacen cargo ni se responsabilizan de ningún daño o lesión provocados por una instalación inapropiada. Este producto se debe montar en una estructura adecuada y se debe utilizar soportando solamente hasta el peso máximo indicado.

FR

B-Tech International Design And Manufacturing Ltd. recommande de confier l'installation de ce produit à un installateur AV professionnel ou à une autre personne dûment qualifiée. B-Tech International Design And Manufacturing Ltd, ses distributeurs et ses revendeurs ne sauraient être tenus responsables de tout dégât ou de toute blessure résultant d'une installation incorrecte. Ce produit doit être monté sur un support approprié et utilisé dans la limite du poids maximum indiqué.

IT

B-Tech International Design And Manufacturing Ltd. consiglia di affidare l'installazione di questo prodotto a un installatore specializzato o ad altra persona adeguatamente qualificata. B-Tech International Design And Manufacturing Ltd, i suoi distributori e rivenditori non accettano alcuna responsabilità nei riguardi di eventuali danni o infortuni causati da un'errata installazione. Questo prodotto deve essere fissato a una struttura idonea e utilizzato unicamente sino al peso massimo indicato.

NL

B-Tech International Design And Manufacturing Ltd. adviseert om dit product te laten installeren door een professionele AV-instalateur of andere hiervoor gekwalificeerde persoon. B-Tech International Design And Manufacturing Ltd, haar distributeurs en dealers zijn niet aansprakelijk of verantwoordelijk voor schade of letsel die is veroorzaakt door onoordeelkundige installatie. Dit product moet worden gemonteerd aan een geschikte constructie, waarbij het aangegeven maximum gewicht niet mag worden overschreden.

PL

Firma B-Tech International Design And Manufacturing Ltd. zaleca, aby ten produkt był instalowany przez profesjonalnych instalatorów AV lub inny odpowiednio przeszkolony personel. Firma B-Tech International Design And Manufacturing Ltd, jej dystrybutorzy i dealerzy nie ponoszą odpowiedzialności za uszkodzenia lub obrażenia ciała powstałe w wyniku nieprawidłowej instalacji. Niniejszy produkt musi być zamontowany na odpowiedniej powierzchni, a podczas u żytkowania nie wolno przekraczać podanego maksymalnego obciążenia.

PT

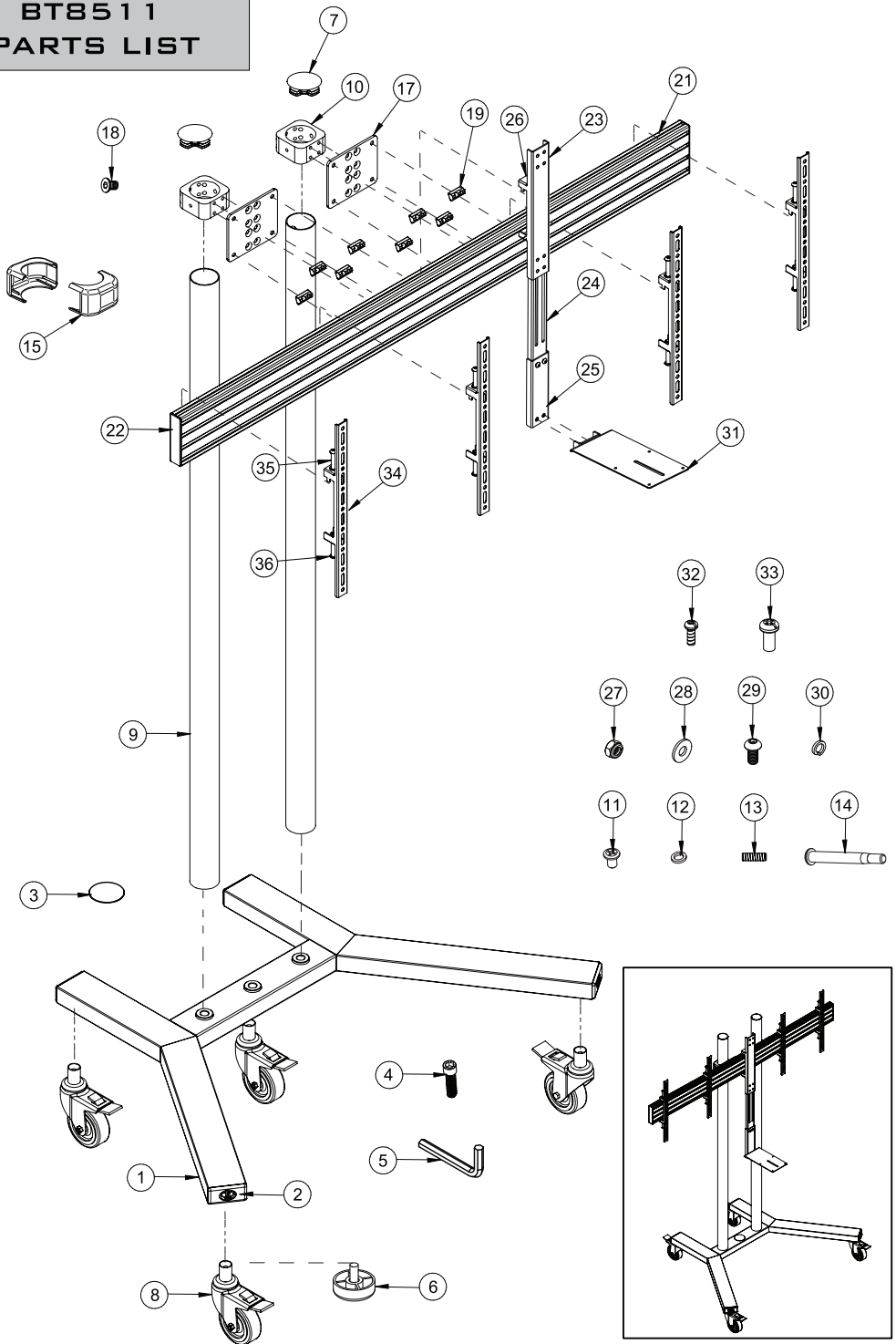
A B-Tech International Design And Manufacturing Ltd. recomenda que a instalação deste produto seja efectuada por um instalador de AV instalador de AV profissional ou outra pessoa devidamente habilitada. A B-Tech International Design And Manufacturing Ltd. e os seus distribuidores e concessionários não são responsáveis por danos ou lesões causados por uma instalação incorrecta. Este produto tem de ser montado numa estrutura adequada e utilizado somente até ao peso máximo indicado.

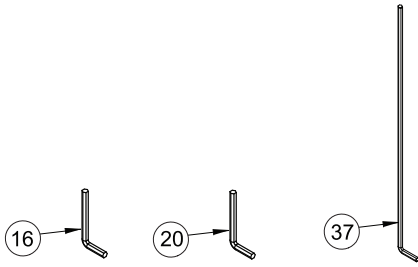
RU

Компания B-Tech International Design And Manufacturing Ltd. рекомендует, чтобы установка данного изделия производилась инженером по установке аудио-видеотехники или другим специалистом с соответствующей квалификацией. Компания B-Tech International Design And Manufacturing Ltd. ее дистрибьюторы и дилеры не несут ответственности за повреждения или травмы, полученные в результате неправильной установки. Данное изделие должно

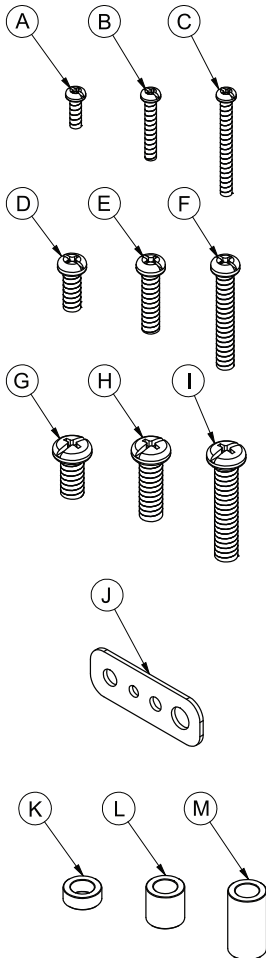
توصي بي- تك للتجارة الدولية المحدودة بأن شخص محترف في تركيب ال AV أو شخص مؤهل تأهيلا مناسباً لتركيب هذا المنتج. بي- تك للتجارة الدولية، موز عليها والتجار ليست عرضة أو مسؤولة عن الأضرار أو الإصابات الناجمة عن تركيب غير سليم، والاستخدام غير السليم أو عدم مراعاة هذه التعليمات للسلامة. يجب أن يتم تركيب هذا المنتج في بنية مناسبة ويجب استخدام فقط لدعم الحد الأقصى للوزن المشار إليه.

BT8511 PARTS LIST





FLAT SCREEN INTERFACE KIT
(for attaching mount to back of flat screen)



PLEASE KEEP THIS FOR FUTURE REFERENCE

REF	PART NAME	QTY
	BT4003	
1	BASE	1
2	BASE END CAP	4
3	HOLE CAP	2
4	M16 x 60mm SCREW	2
5	14AF HEX KEY	1
6	ADJUSTABLE FOOT	4
7	POLE END CAP	2
	BTW100-4	
8	BRAKED CASTOR	4
	BT4015	
9	Ø60mm POLE L:1.5m	2
	BT7060	
10	Ø60mm COLLAR	2
11	M8 x 12mm SCREW	16
12	M8 SPRING WASHER	18
13	M10 x 20mm GRUB SCREW	8
14	M8 x 80mm HEX SCREW	2
15	COLLAR COVER PLATE	4
16	5AF HEX KEY	2
	BT8390-CFK	
17	COLLAR FIXING PLATE	2
18	M8 x 12mm CSK HEX SCREW	16
19	M8 SLIDING NUT	8
20	5AF HEX KEY	2
	BT8390-150	
21	MOUNTING RAIL 1.5m	1
22	END CAP	2
	BT8390-SA	
23	HOOK ARM	1
24	SLIDING BRACKET	1
25	EXTENSION BRACKET	1
26	M8 x 55mm HEX SCREW	2
27	M8 NUT	4
28	WASHER	4
29	M8 x 16mm HEX SCREW	4
30	M8 SPRING WASHER	4
	BT7863	
31	SHELF	1
32	M4 x 10mm SCREW	4
33	UNC 1/4" x 1/2" SCREW	1
	BT8390-VESA400F	
34	INTERFACE ARM	4
35	LEVELLING SCREW	4
36	SAFETY SCREW	4
37	4AF LONG HEX KEY	2
	INTERFACE KIT	
A	M4 x 12mm SCREW	8
B	M4 x 25mm SCREW	8
C	M4 x 40mm SCREW	8
D	M6 x 16mm SCREW	8
E	M6 x 25mm SCREW	8
F	M6 x 40mm SCREW	8
G	M8 x 16mm SCREW	8
H	M8 x 25mm SCREW	8
I	M8 x 40mm SCREW	8
J	MULTI WASHER	8
K	5mm SPACER	8
L	13mm SPACER	8
M	24mm SPACER	8

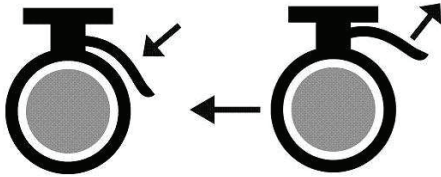


WARNING

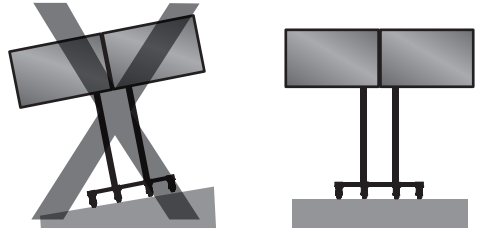


**CAN TIP OVER WHICH MAY LEAD TO
SERIOUS INJURY.
DO NOT ALLOW CHILDREN UNDER 16
TO MOVE TROLLEY.
MOVE TROLLEY SLOWLY**

**ALWAYS APPLY BRAKES WHEN
TROLLEY IS STATIONARY
RELEASE BRAKES WHEN PUSHING
TROLLEY.**



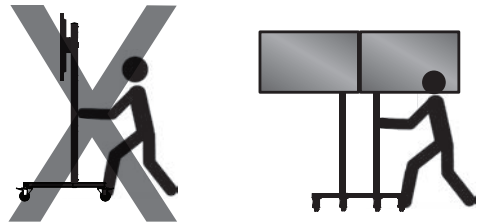
**NEVER USE OR LEAVE TROLLEY
ON AN INCLINE. ALWAYS PARK
AND MOVE ON LEVEL GROUND**



**ONLY ADULTS SHOULD PUSH
THIS TROLLEY**



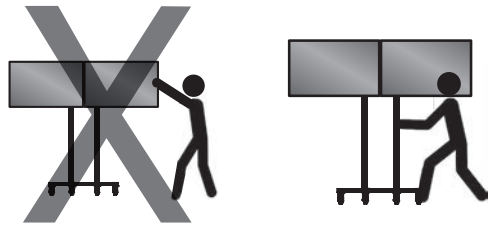
**PUSH TROLLEY ON
NARROW SIDE**



**NEVER PULL TROLLEY.
ALWAYS PUSH**



**DO NOT PUSH AT TOP OF TROLLEY.
ALWAYS PUSH NEAR MIDDLE**

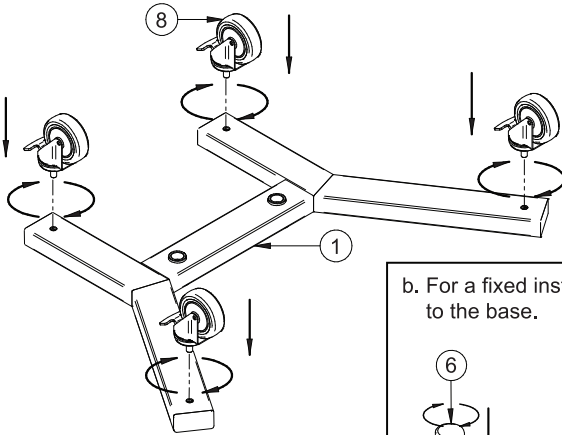


INSTALLATION INSTRUCTIONS

1

Assemble Base

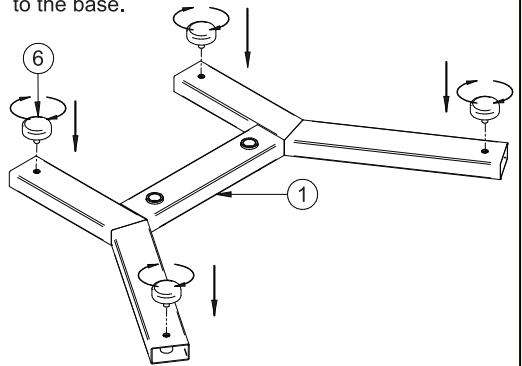
a. For mobile application attach braked castors (part 8) to the base (part 1).



LOCK WHEELS
PRIOR TO
INSTALLATION



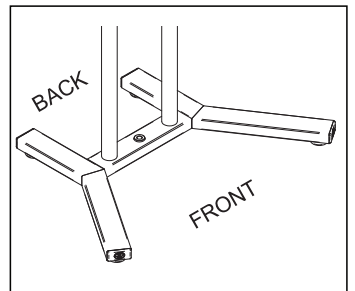
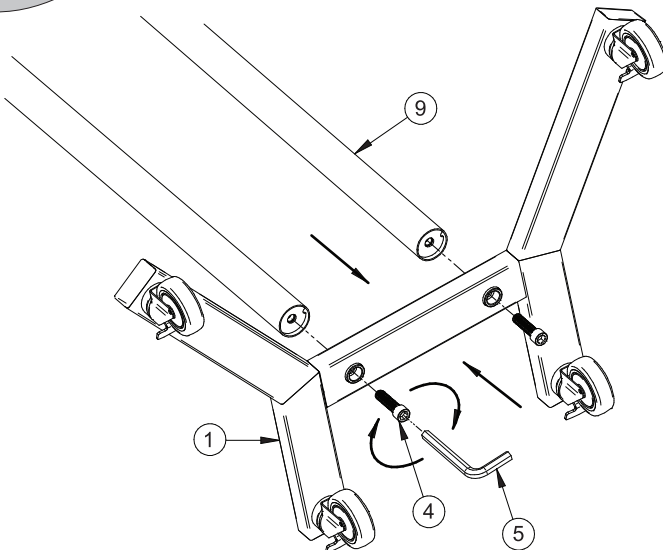
b. For a fixed installation attach adjustable feet (part 6) to the base.



2

Attach Poles to the Base

Connect 2 poles (part 9) to the base (part 1) using the M16 x 60mm screws (part 4).

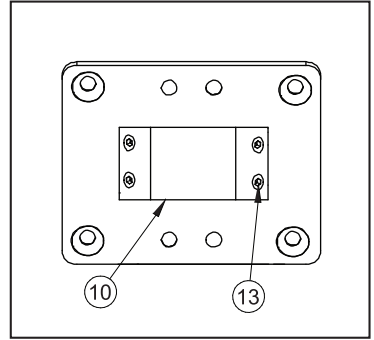
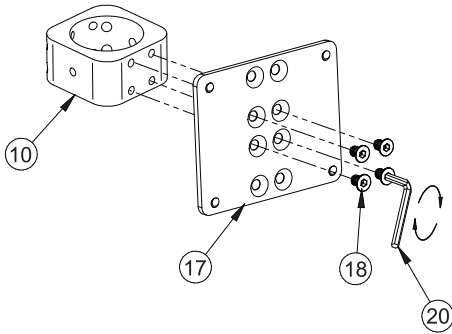


3

Assemble Collars

Attach the collars (part 10) to the collar fixing plates (part 17).

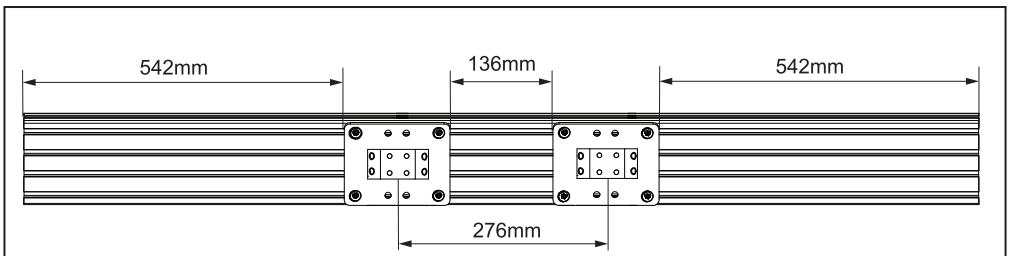
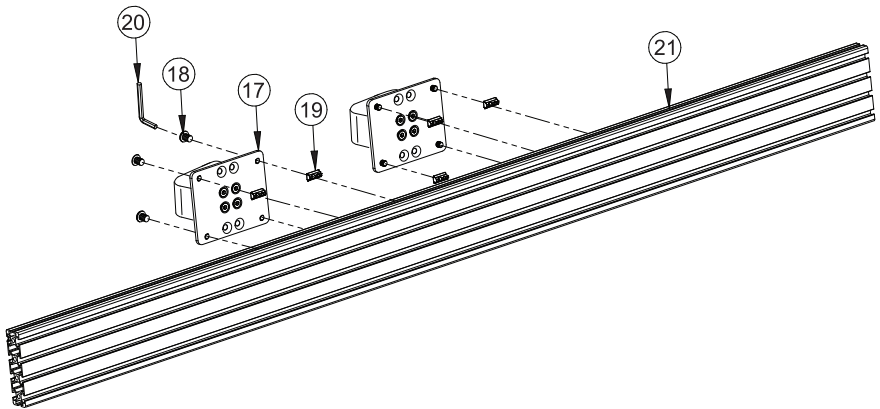
Note: Ensure the collar grub screws (part 13) are on the back side.



4

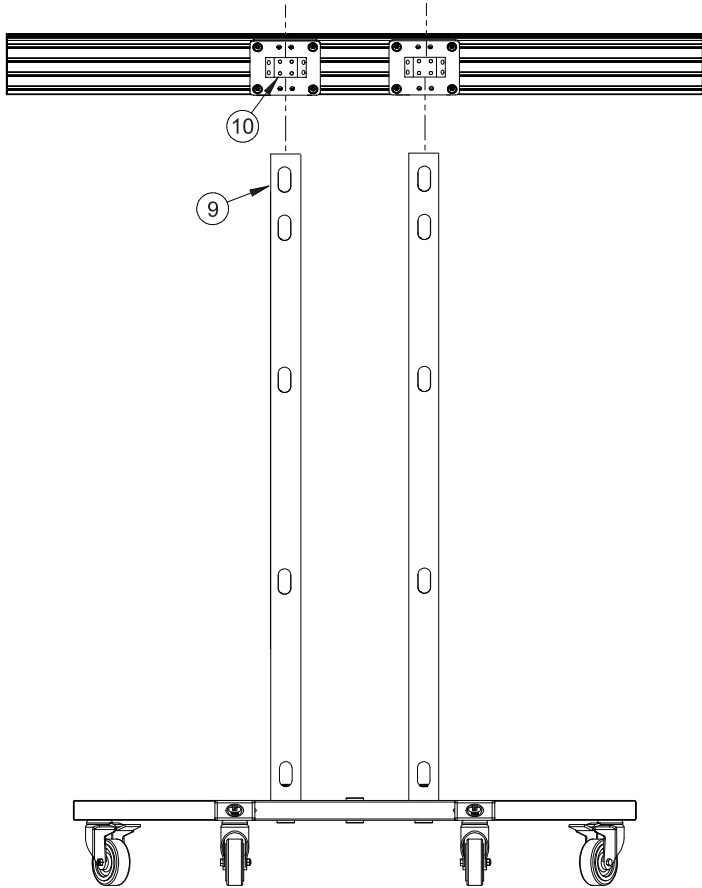
Attach Collars to the Mounting Rail

Insert 4 x M8 sliding nuts (part 19) into the mounting rail (part 21) for each collar fixing plate (part 17), 2 in the top slot, 2 in the bottom slot. Attach collar fixing plates (part 17) to the mounting rail by fastening the M8 x 12mm screws (part 18) to the M8 sliding nuts.

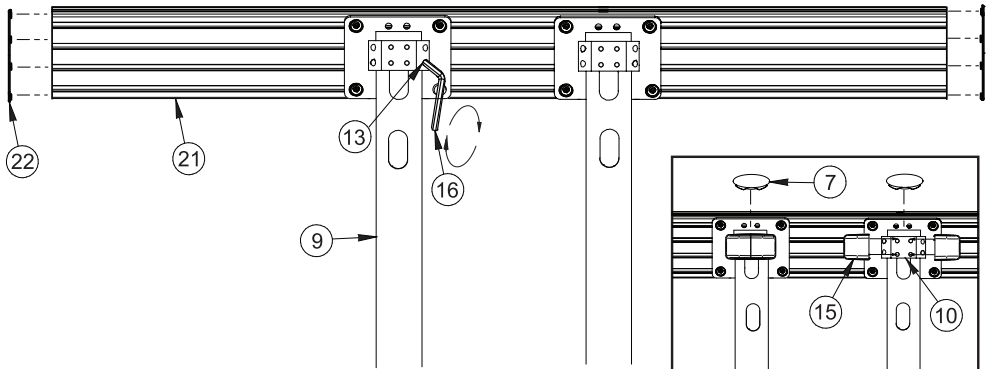


Attach Mounting Rail to the Poles

i. Slide the collars (part 10) and mounting rail onto the poles (part 9).



ii. Tighten grub screws (part 13) on the collars (part 10) to fix mounting rail (part 21) to poles (part 9).
iii. Add end caps (parts 7 & 22) to the poles and rail and the cover plates (part 15) to the collars.

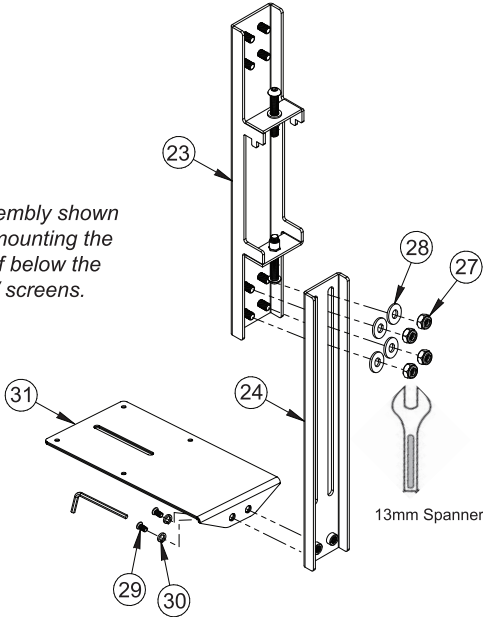


6

Assemble VC Shelf

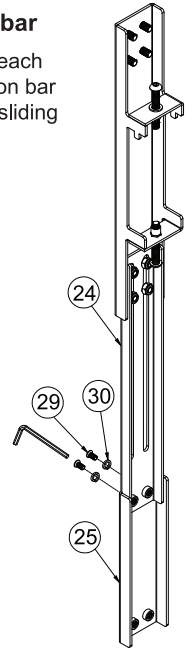
- i. Attach sliding bracket (part 24) to hook arm (part 23).
- ii. Attach shelf (part 31) to sliding bracket (part 24).

Assembly shown for mounting the shelf below the rail / screens.

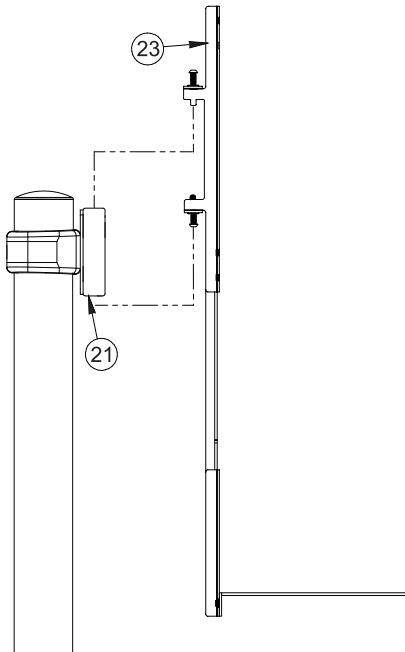


Optional Add extension bar

For an extended reach attach the extension bar (part 25) onto the sliding bracket (part 24).



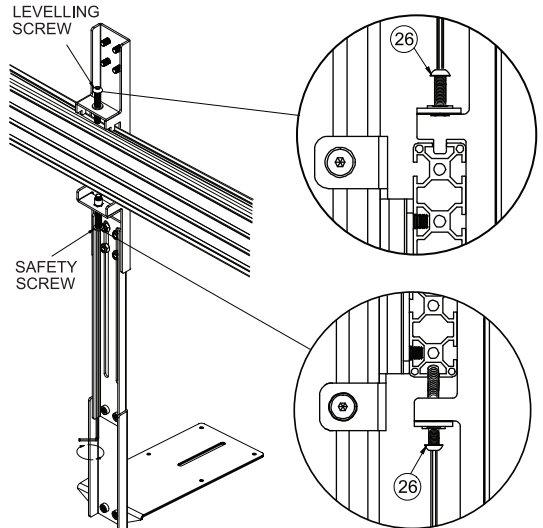
- iii. Hook shelf onto mounting rail (part 21).



- iv. Secure shelf to rail.

Optional: Level the shelf bracket by using the top screw on the hook arm.

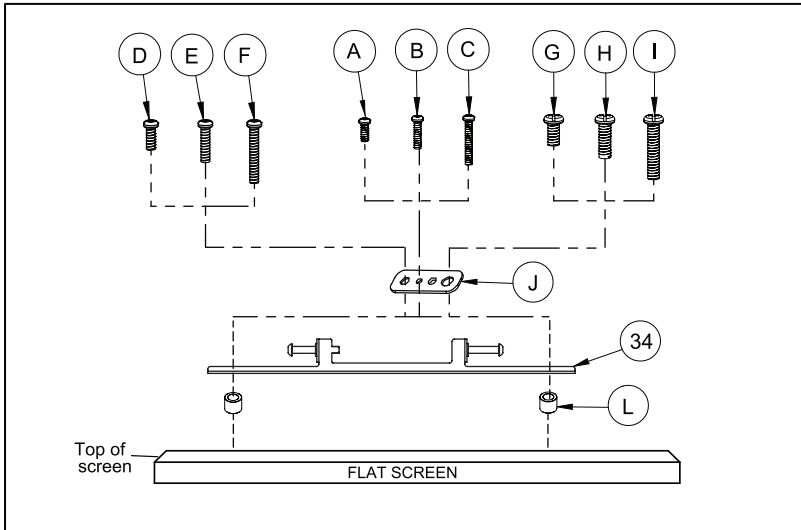
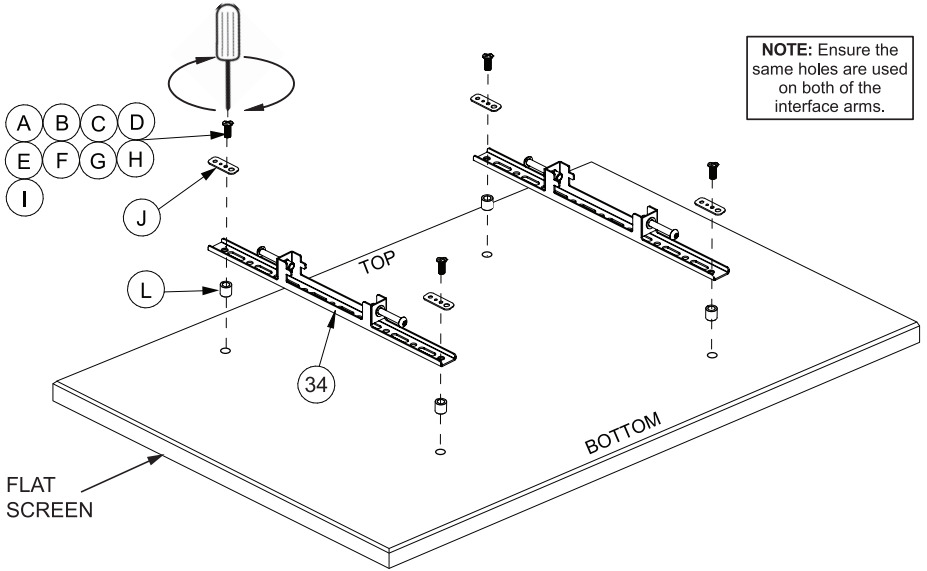
Use the safety screw underneath the hook arm to secure the shelf bracket to rail.



Attach Interface Arms to Screens

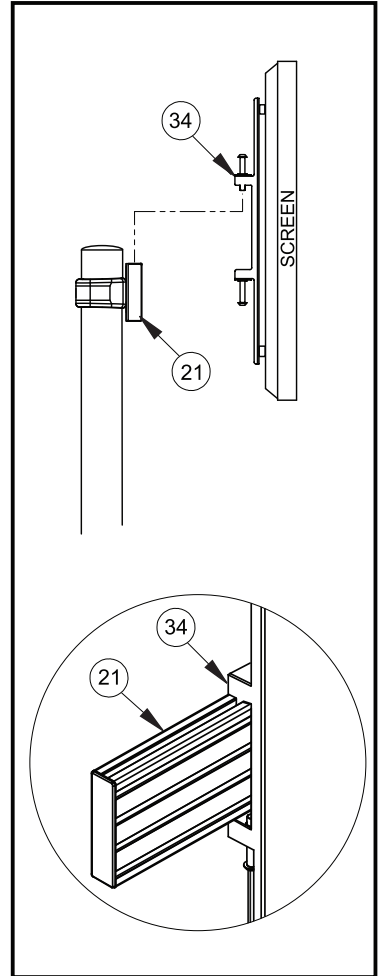
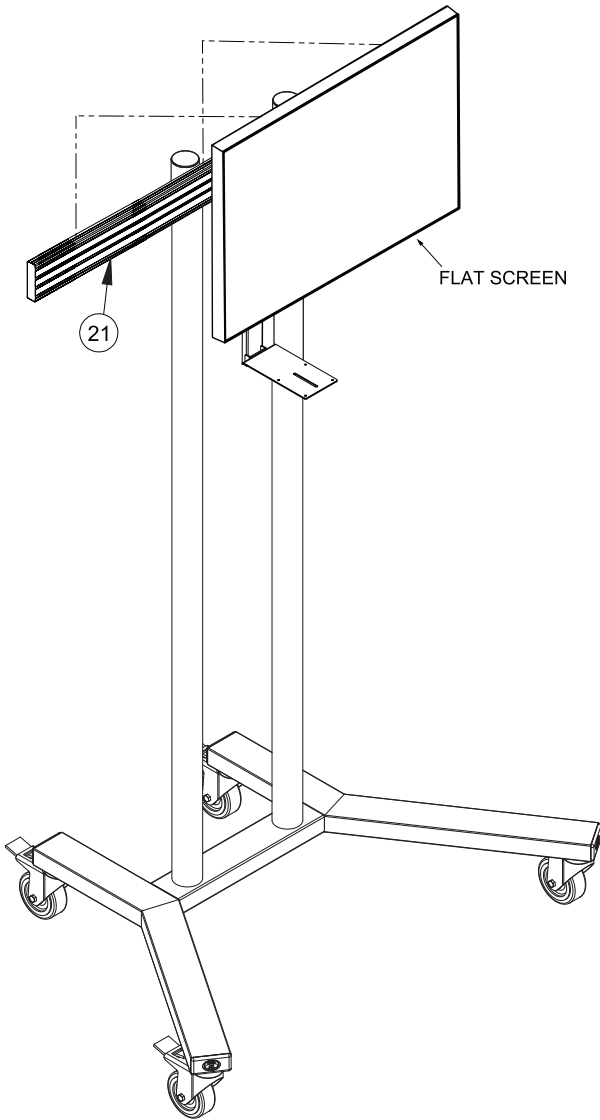
Attach the interface arms (part 34) to the rear of the flat screens using the supplied screen interface fixing kit (parts A - I).

Note: 13mm spacers (part L) are not required if the VC shelf is not installed.

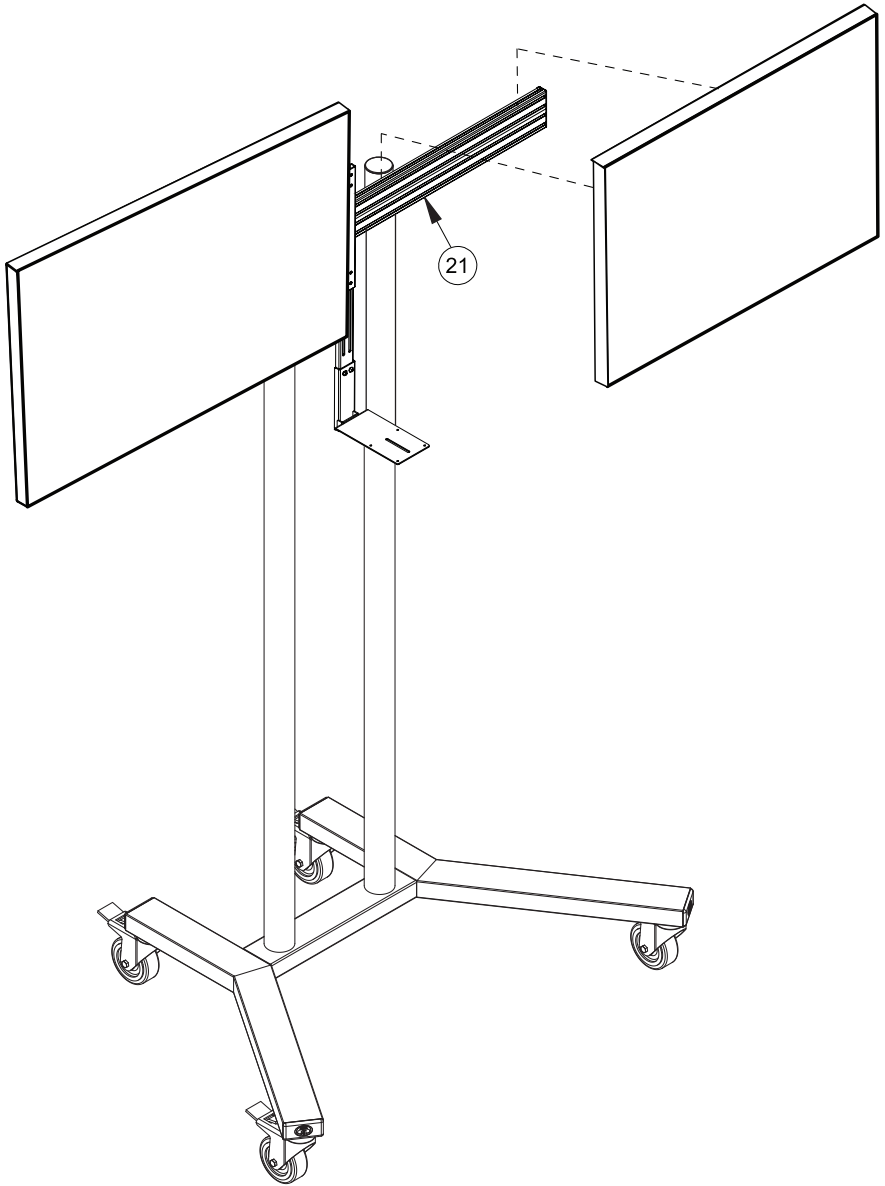


Mount Screens to Rail

i. Hook the first screen onto the rail (part 21). *This may require two people.*

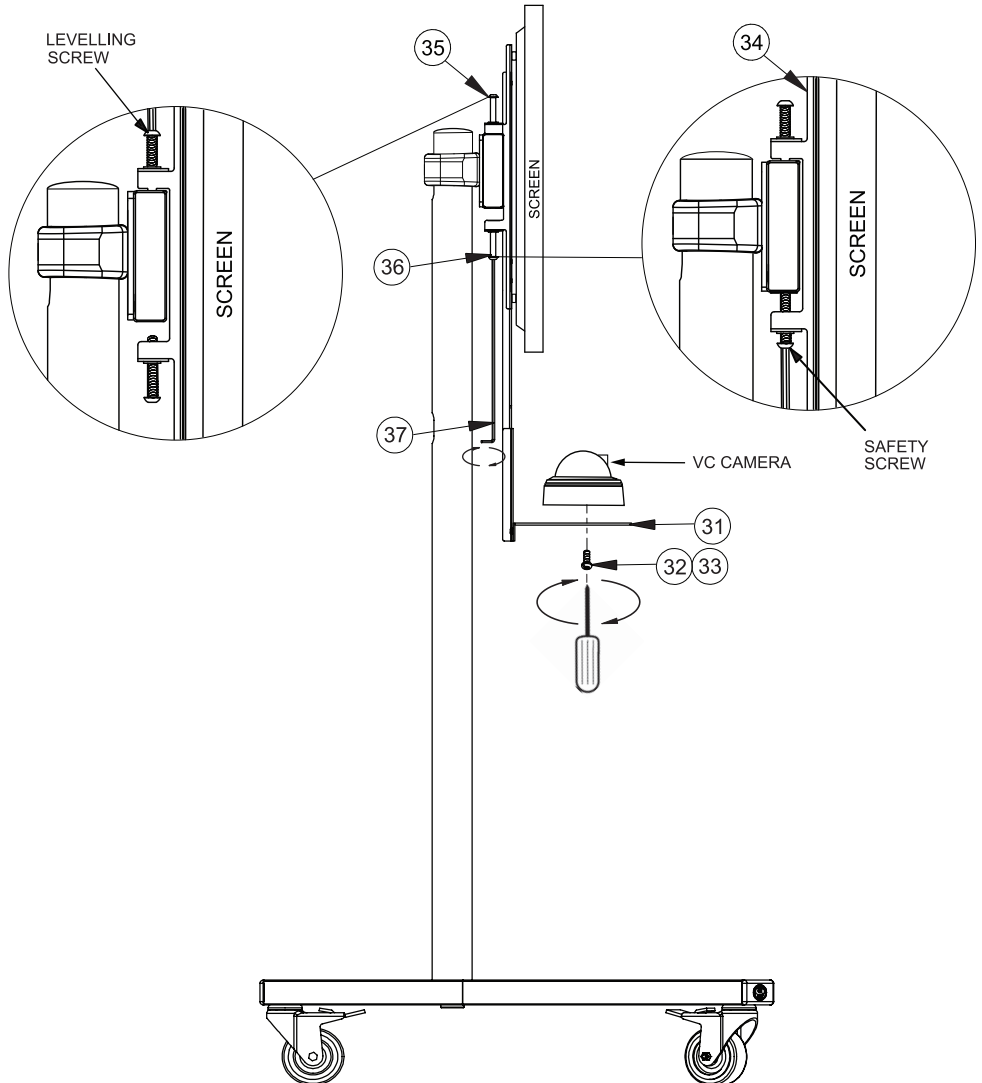


ii. Hook the second screen onto the rail (part 21). *This may require two people.*



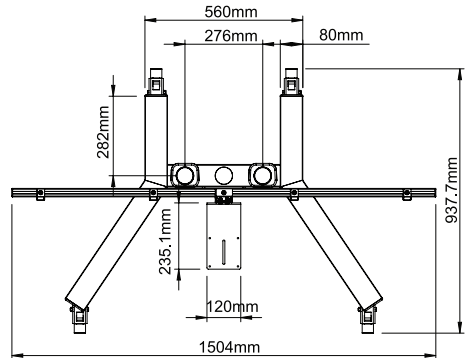
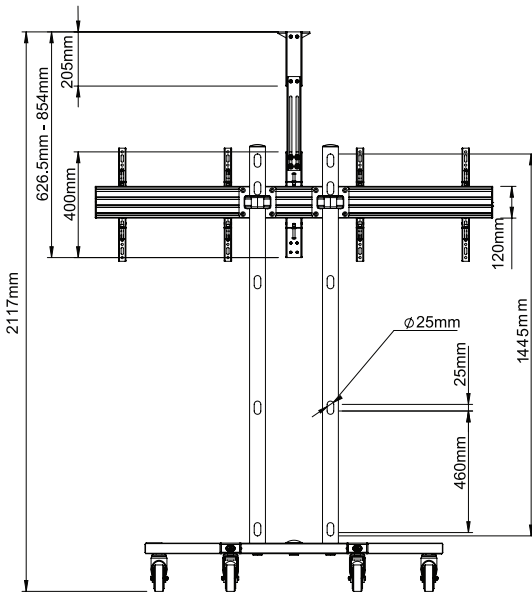
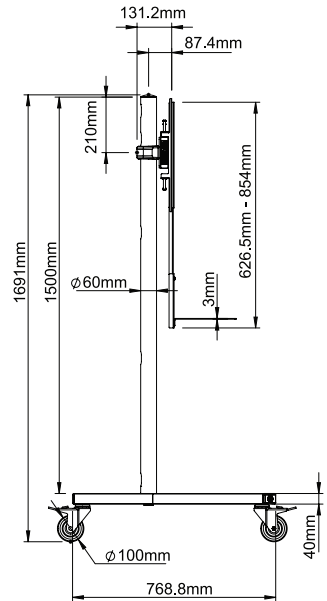
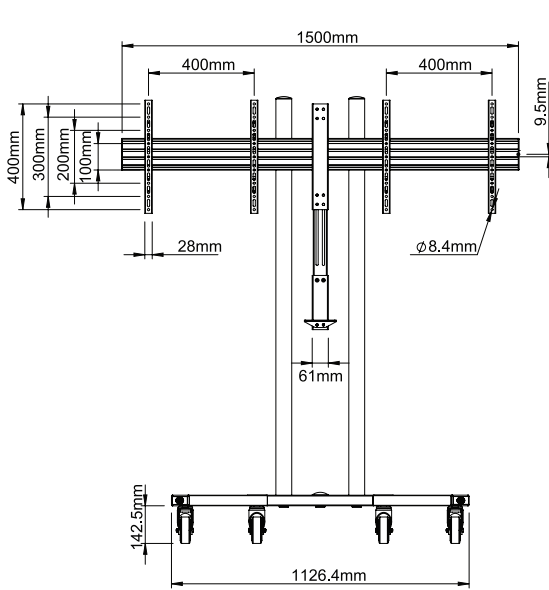
Secure Screens and VC Camera to Trolley

- i. *Optional:* Use the top levelling screws (part 35) on the interface arms (part 34) to adjust the height of the screen.
- ii. Tighten the safety screws (part 36) on the bottom of the interface arms (part 34), securing the screens to the rail.
- iii. Attach VC camera to shelf (part 31) using the M4 x 10mm screws (part 32) or the UNC 1/4" x 1/2" screw (part 33).



BT8511

PRODUCT DIMENSIONS



THESE INSTRUCTIONS ARE INTENDED AS A GUIDE ONLY AND B-TECH ACCEPTS NO LIABILITY FOR THE ACCURACY OF THE INFORMATION CONTAINED IN THIS DOCUMENT.



www.btechavmounts.com

B-TECH AUDIO VIDEO MOUNTS

HEAD OFFICE

B-Tech International Limited

Bennett House, Long March, Daventry, Northants., NN11 4NR, UK

Email: info@btechavmounts.com

©2017 B-Tech International Design and Manufacturing Limited. All rights reserved.

B-Tech Audio Video Mounts is a division of B-Tech International Design and Manufacturing Limited.

B-Tech, Better By Design & System X are registered trademarks of B-Tech International Design and Manufacturing Limited.

All other brands and product names are trademarks of their respective owners.

Photographs are for illustrative purposes only. E&OE.